



Power Table

Portable Drive Table for
Sheet Metal Tools



The **Power Table** is an easy to use, affordable way of driving any one of up to four hand rotary machines from standard 115V power.

The power table features a quick change, spring loaded drive shaft with ½" female square drive connection, foot pedal operation and complete portability.

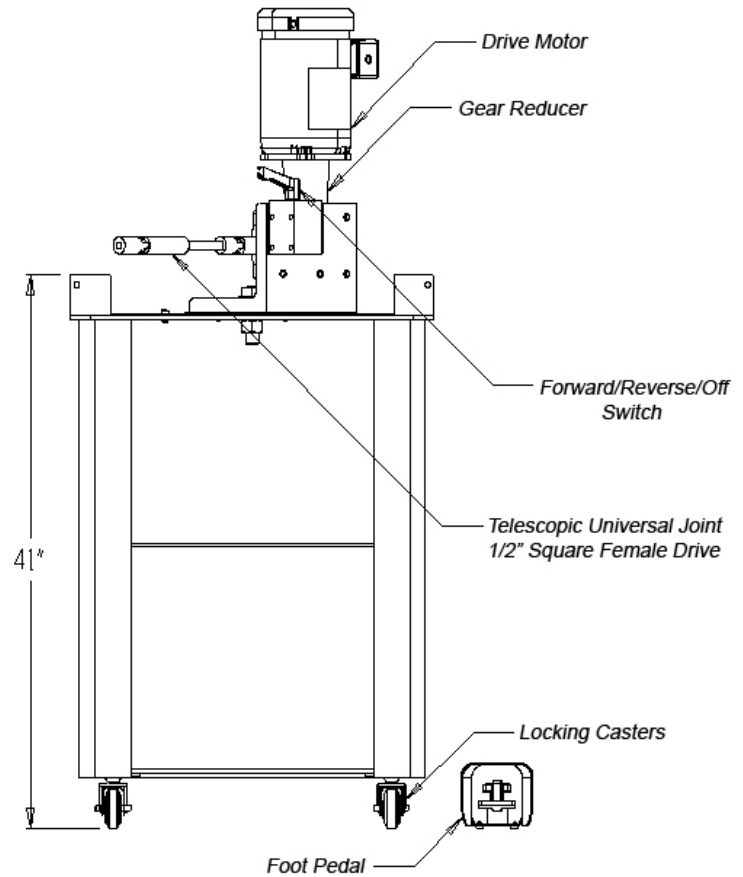
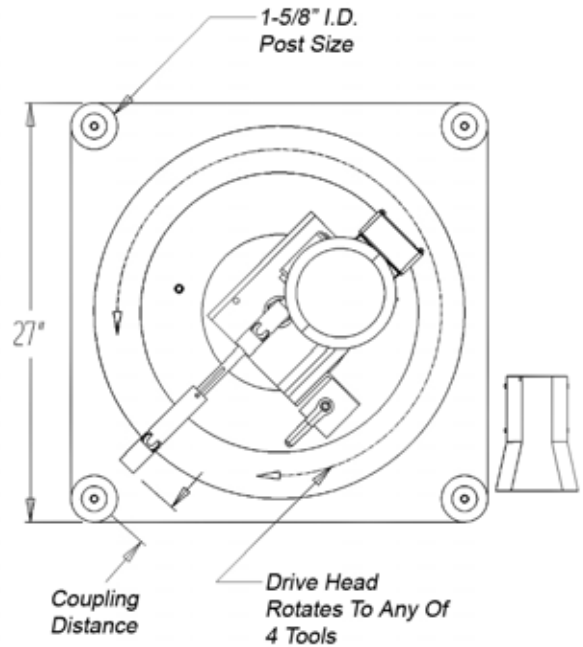
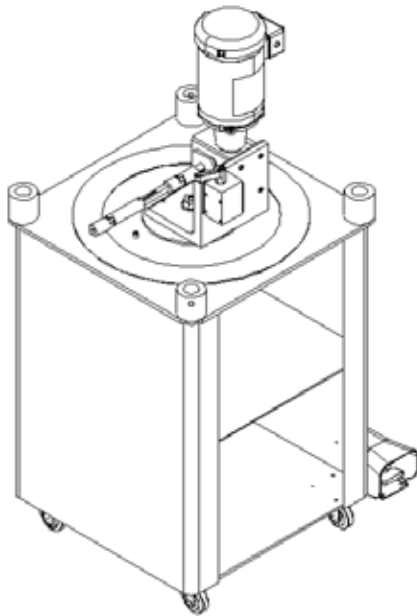
The power table is available in two versions: 40 RPM fixed speed or 20-60 RPM variable speed.

Features:

- **¼ HP (PT) or ½ HP (PTV) motor and gear box**
All the power needed for trouble-free operation
- **Fixed or Variable Speeds**
Choose the model that is right for you
- **Quick change spring loaded drive shaft**
Change power drive to any tool in seconds
- **Convenient work height**
Reduce operator fatigue for more production
- **Solid, portable stand**
Easy to move yet stays in place with locking casters
- **Foot pedal operation**
Leave both hands free to guide parts
- **Easy to reach reversing switch**
Moves with drive position for operator convenience
- **115V power requirements**
Plug in to any standard power outlet
- **Built-in stand storage**
Keep all your accessories in one place

SPECIFICATIONS – Power Table

Speed:	Model PT 1-4 40 RPM (fixed) Model PTV 1-4 20-60 RPM (variable)
Torque:	270 in-lbs
Drive:	Model PT 1-4 ¼ HP Model PTV 1-4 ½ HP
Coupling:	½" Square female
Coupling Distance:	4-1/2" (6-1/2" compressed)
Tool Position:	4 @ 90°
Power Requirements:	115v (60 cycles single phase) 5A (Model PT1-4) 10A (Model PTV1-4)
Table Height:	37"
Tool Post Height:	41"
Tool Post Size:	Ø1-5/8" (Internal)
Width:	27" (square)
Weight:	475 lbs
Casters:	Ø3" (with brakes)



NORLOK
TECHNOLOGY INC.

26 Adams Boulevard, Brantford, Ontario, Canada N3S 7V2

519.759.5896 Fax: 519.759.2948

Email: info@norlok.com Web: www.norlok.com

SPECIALISTS IN CLINCHING TECHNOLOGY

An **ISO 9001** Registered Company

DISTRIBUTED BY

