

The Slip-on flange Watson

For fastening Slip-on (eg., TDC, TDF) flange to ductwork

Norloks Slip-on flange Watson machine is the perfect addition to any HVAC shop that wants to move away from rivets and screws for fastening slip-on flange

Advantages:

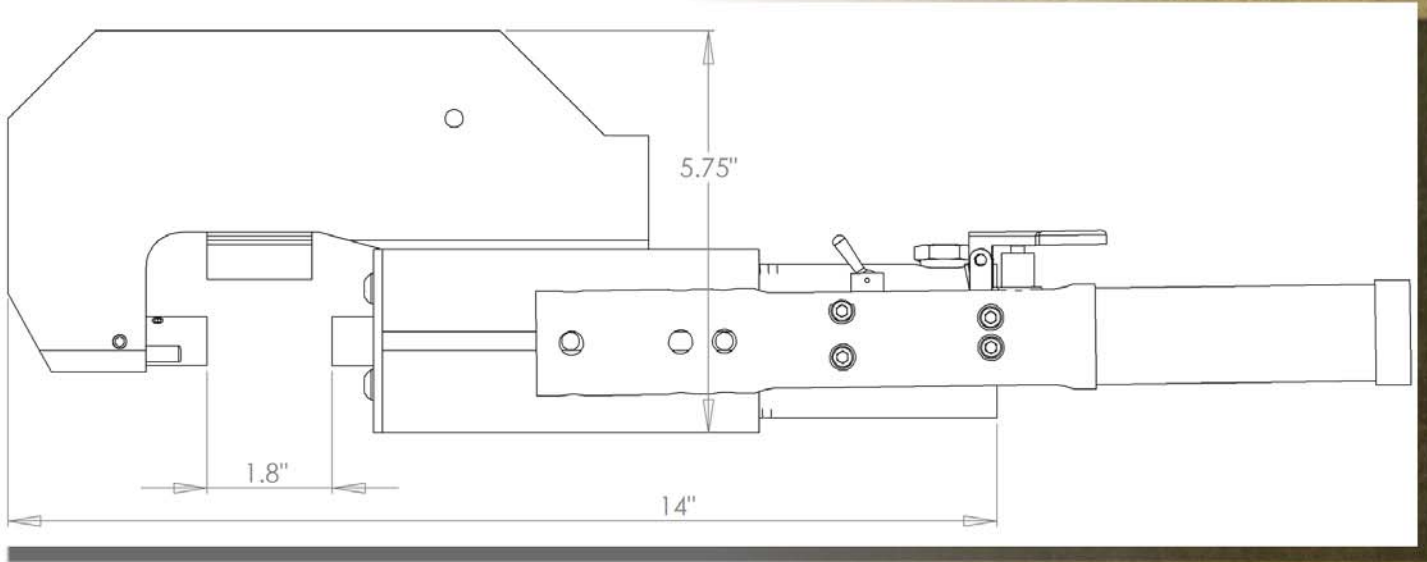
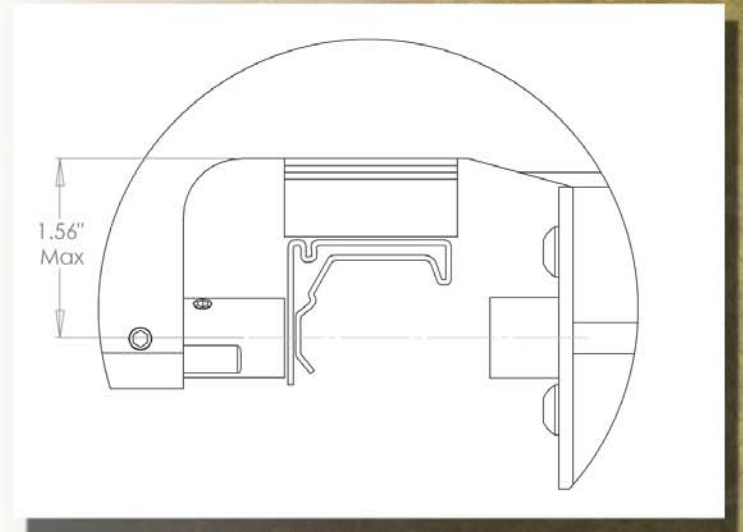
- Light Weight
 - For greater portability
- Dual trigger operation
 - For greater operator safety
- Close tooling access
 - Get in close for more applications
- Air powered
 - Hydraulic booster included
- Proven design
 - For consistent clinches
- Ideal for joining more than two layers
 - Clinch up to 3-ply 18g
- Dual stage approach stroke
 - For a faster clinching process
- High speed booster available (doubles speed)
- Eliminates screw point obstructions through the duct work, resulting in an easier to clean duct.



The Slip-on flange Watson

Technical Data:

Workhead weight:	19 lbs
Total weight, inc. Booster:	90 lbs
Working air pressure:	80 psi
Hydraulic pressure at 6 bar:	4,400 psi
Cycle Time:	1.0-2.0 s
Max thickness, mild steel:	0.150"



26 Adams Boulevard, Brantford, Ontario, Canada N3S 7V2
519.759.5896 Fax: 519.759.2948
Email: info@norlok.com Web: www.norlok.com

DISTRIBUTED BY