

The Slip-On Flange Watson

Norloks Slip-On Flange Watson machine is the perfect addition to any HVAC shop that wants to move away from rivets and screws for fastening slip-on flange.

Features include:

Light weight

-for great portability

Dual trigger operation

-for great operator safety

Close tooling access

-get in close for more applications

Air powered

-hydraulic booster included

Proven Design

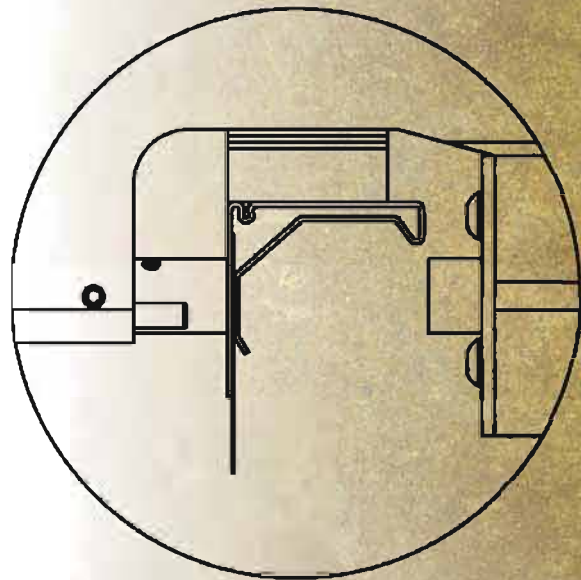
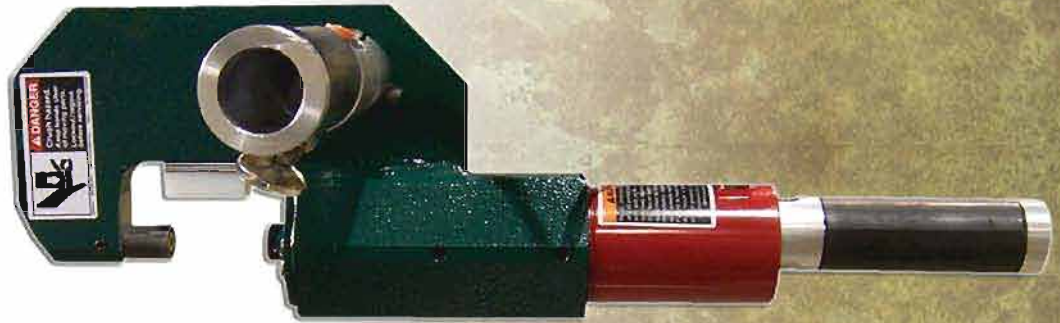
-for consistent clinches

Easy Maintenance

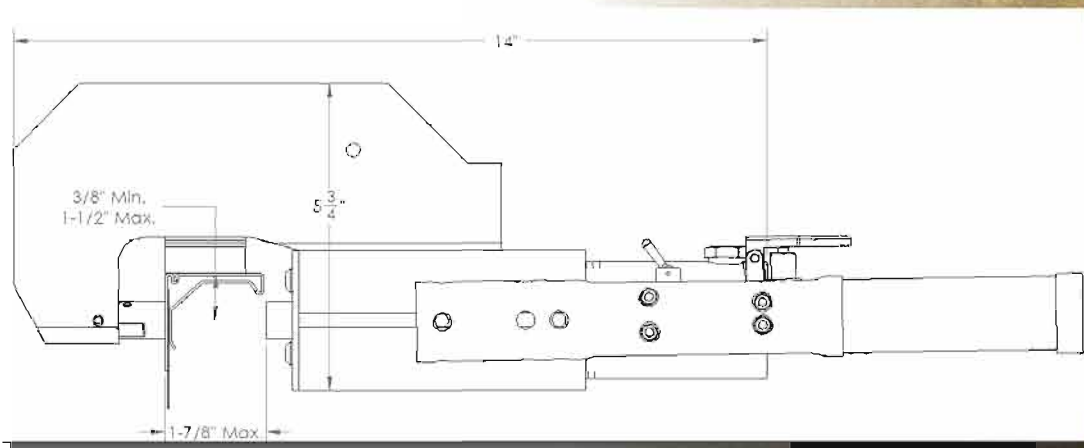
-for less downtime

Competitively priced

-low investment and fast payback



The Slip-On Flange Watson



Workhead weight: 19 lbs (8.6 kg)
Total weight, inc. Booster: 90 lbs (41 kg)
Working air pressure: 80 psi (min.)
Hydraulic pressure at 80 psi: 4,400 psi

Cycle Time: 1.5 - 2 s
Max thickness, mild steel (total): 0.180" (4.5 mm)

NORLOK
TECHNOLOGY INC.

26 Adams Boulevard, Brantford, Ontario, Canada N3S 7V2
519.759.5896 Fax: 519.759.2948
Email: info@norlok.com Web: www.norlok.com

DISTRIBUTED BY